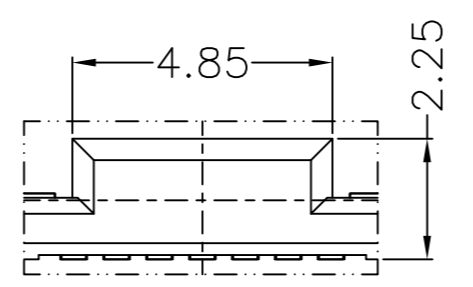
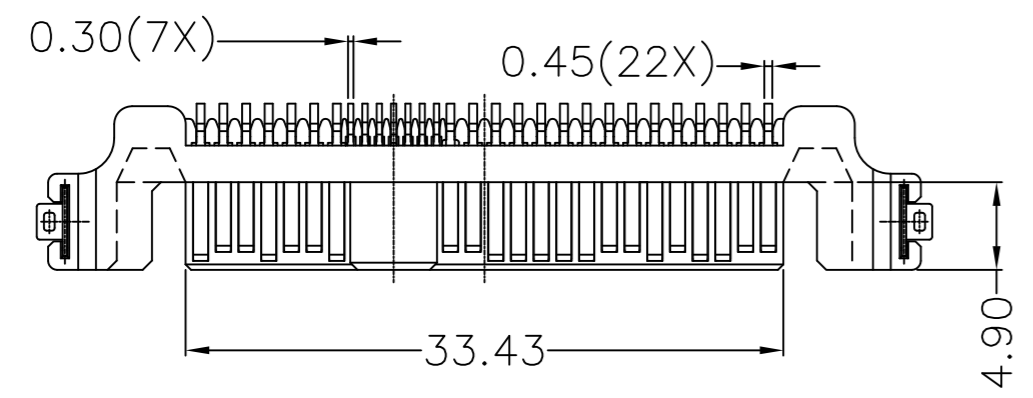
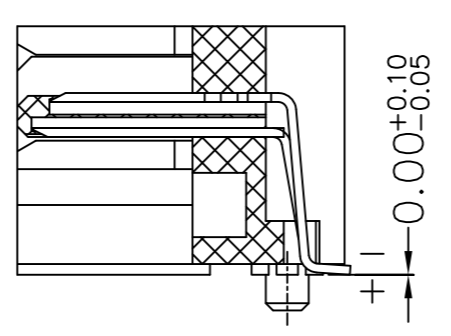
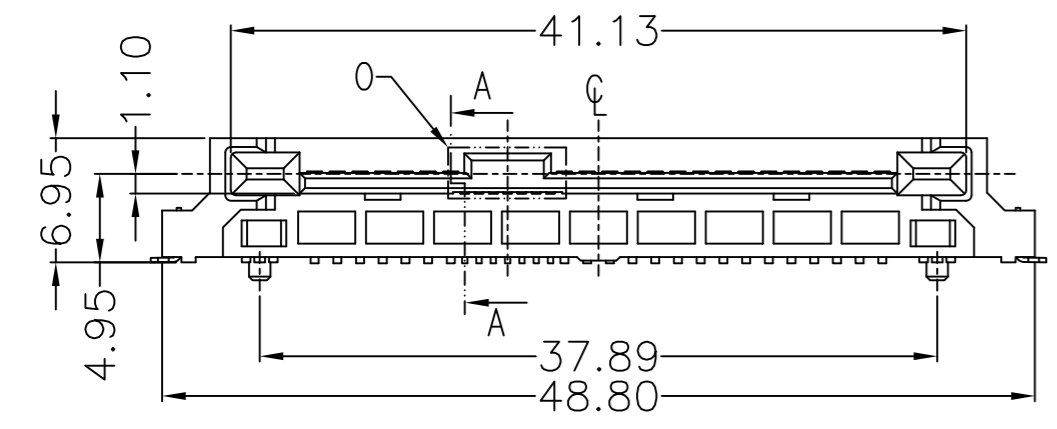


NOTES:

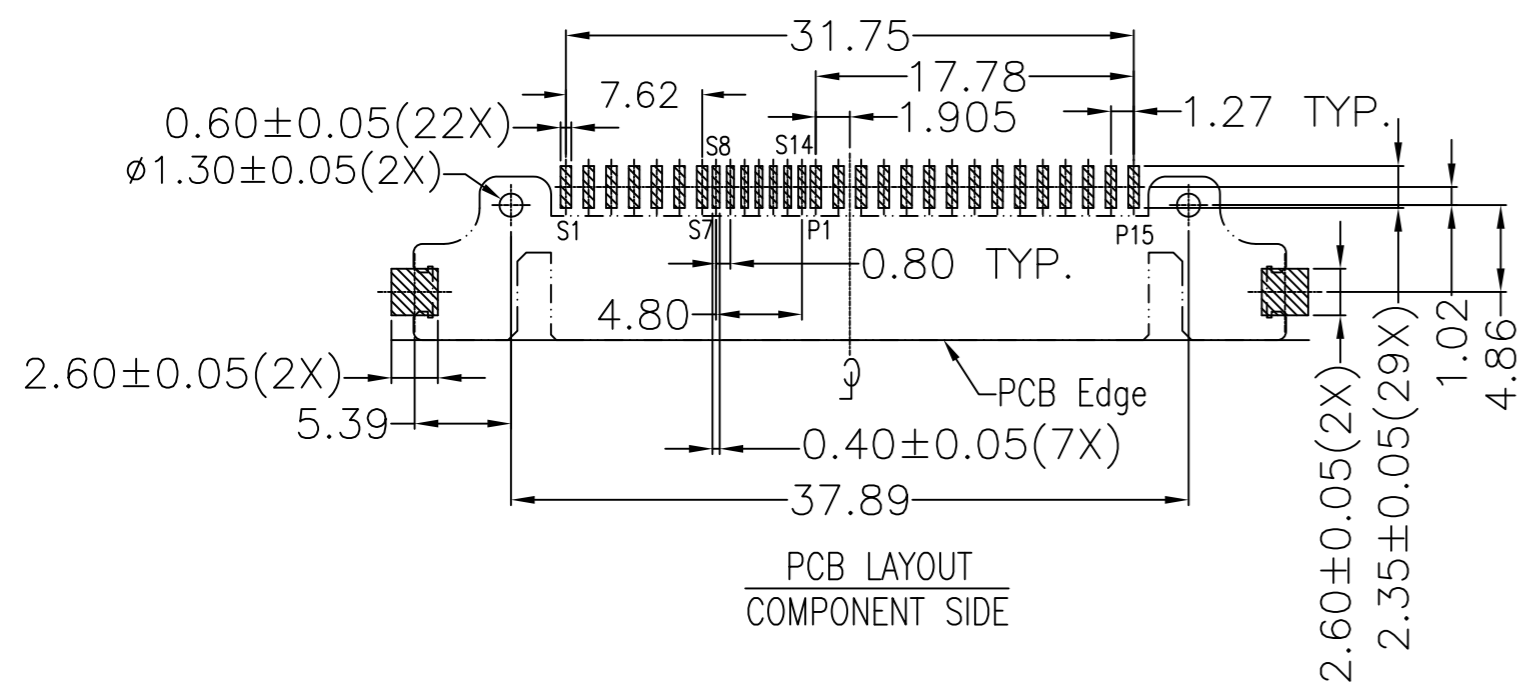
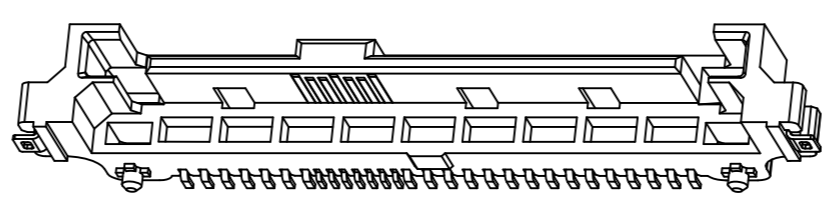
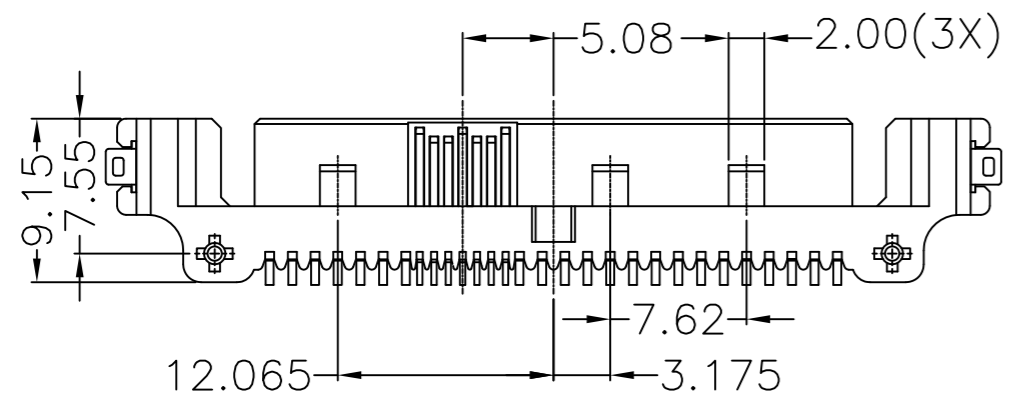
1. MATERIAL  
HOUSING: LCP+50%GF, UL 94V-0 RATED, COLOR BLACK  
CONTACT: BRASS  
HARPOON: PHOSPHOR BRONZE
2. PLATING  
CONTACT: GOLD 30u" MIN. PLATING ON CONTACT AREA,  
TIN 80u" MIN. PLATING ON SOLDER TAIL,  
NICKEL 30u" MIN. UNDERPLATING OVERALL  
HARPOON: TIN 80u" MIN. PLATING OVER NICKEL 30u" MIN.
3. MECHANICAL  
INSERTION FORCE: 25N MAX.  
WITHDRAWAL FORCE: 5N MIN.  
DURABILITY: 500 CYCLES
4. ELECTRICAL SPECIFICATION  
CURRENT RATING: 1.5 AMPERE PER CONTACT  
CONTACT RESISTANCE: 30 mΩ MAX.  
INSULATION RESISTANCE: 1000 MΩ MIN.  
DIELECTRIC WITHSTANDING VOLTAGE: 500 VAC
5. OPERATING TEMPERATURE: 0°C TO +55°C
6. RoHS COMPLIANT



VIEW 0  
SCALE 3:1



SECT A-A  
SCALE 2:1



ORDER INFORMATION

SASR - 13 29 - B K 6 0 T 1F  
① ② ③ ④ ⑤ ⑥ ⑦ ⑧

1. CONNECTOR:  
SASR: SAS R/A CONNECTOR
2. TYPE:  
13: SAS 29P ADD TALL RIGHT ANGLE SMT REVERSE MALE
3. POSITIONS:  
29: 29 POSITIONS
4. INSULATOR MATERIAL:  
B: LCP
5. INSULATOR COLOR:  
K: BLACK
6. CONTACT PLATING:  
6: GOLD 30u" MIN.
7. SHIELD PLATING:  
0: WITHOUT SHIELD
8. PACKING:  
T: TRAY

TOLERANCE		GENESIS TECHNOLOGY, INC	7F, No. 191, Sec. 2 Chung-Yang Rd., Tu-Cheng City Taipei Hsien, Taiwan	TITLE: SAS 29P ADD TALL RIGHT ANGLE SMT REVERSE MALE			
LINEAR	ANGLES			PART NO. SASR-1329-BK60T1F			
X. ±	X° ± 3°	APPD:	MAT'L:	DWG NO. GTi10-20202			
.X ± 0.38	.X° ±			CHKD:	FINISH:	UNITS	SCALE
.XX ± 0.25	.XX° ±	DRWN: Jeff	Q'TY:	MM	NONE	1 OF 1	A
.XXX ± 0.20	.XXX° ±						

A	FIRST RELEASE	Jeff	11/26/10'
REV	ECN NO.	NAME	DATE