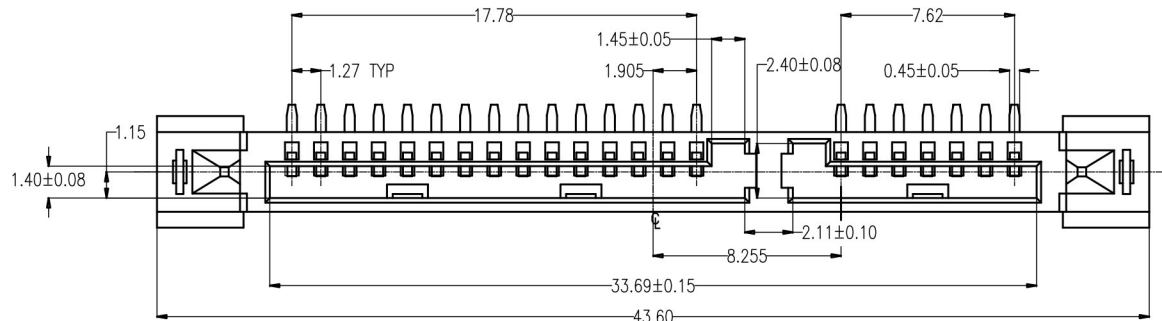


PROPRIETARY INFORMATION
COMPANY CONFIDENTIAL

REV.	ECN. NO.	DESCRIPTION	ENG	DATE
A		ISSUED	Vegas	09/15/09'
B		ADD NOTES	Kevin	11/16/10'
C		UPDATE DRAWING	Knight	12/30/14'

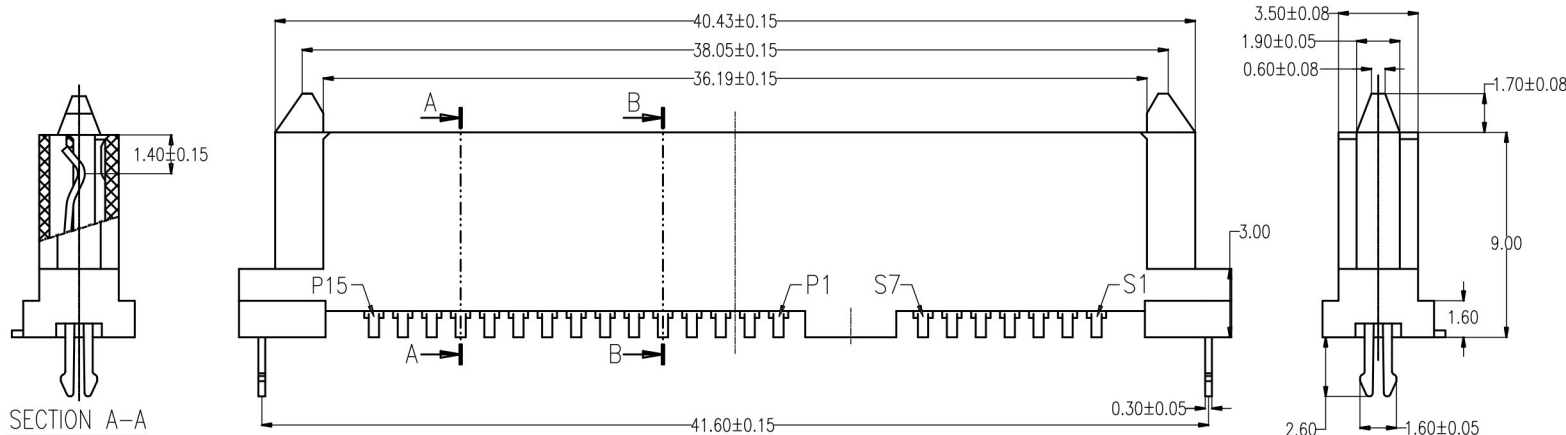


- NOTES:
- 1.Current Rating: 1.5 Ampere Per Contact
 - 2.Contact Resistance: 30mΩ Max.
 - 3.Insulation Resistance: 1000MΩ Min.
 - 4.Dielectric Withstanding Voltage: 500V AC
 - 5.Insertion Force: 20N Max.
 - 6.Withdrawal Force: 4N Min.
 - 7.Durability: 500 Cycles
 - 8.Operating Temperature: -55°C To +85°C

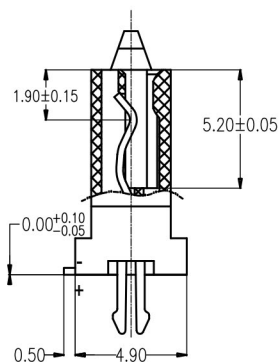
ORDER INFORMATION:

SATR-25 22 -B K 5 0 U
① ② ③④⑤⑥⑦

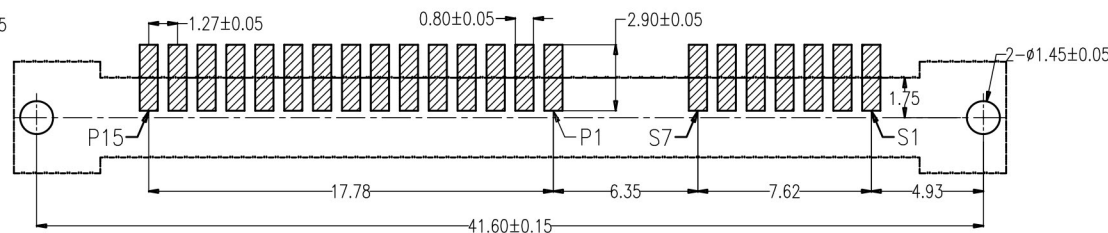
1. TYPE:
SATR-25: SATA 7+15P SMT TYPE
2. POSITIONS:
22: 22 POSITIONS
3. INSULATOR MATERIAL:
B: LCP
4. INSULATOR COLOR:
K: BLACK
5. CONTACT PLATING:
5: Au 15u"
6. SHIELD PLATING:
0: NONE SHIELD
7. PACKING:
U: TUBE



SECTION A-A



SECTION B-B



PCB LAYOUT(T=1.60mm)
COMPONENT SIDE

ITEM	NAME	Q'TY	DESCRIPTION	NOTE
3	POST	2	BRASS, TIN 100u" PLATING OVER NICKEL 50u" MIN	
2	CONTACT	22	PHSOPHOR BRONZE, GOLD 15u" PLATING ON CONTACT AREA, TIN 100u" MIN PLATING SOLDER AREA, NICKEL 40u" MIN UNDER PLATING OVERALL	
1	HOUSING	1	LCP	BLACK, UL94 V-0

GENERAL TOLERANCE X ± 0.50 .X ± 0.38 .XX ± 0.25 .XXX ± 0.15	ANGLE TOLERANCE X° ± 5.0° .X° ± 3.0° .XX° ± 2.0° .XXX° ± 1.0°	DRAWN <i>knighe</i>	DATE 12/30/14'
MATERIAL SEE BOM		CHECKED	DATE
FINISH SEE NOTES		APPROVED <i>River</i>	DATE 12/30/14'
SCALE N/A	UNIT mm	SHEET 1 OF 1	

DRAWN <i>knighe</i>		DATE 12/30/14'
CHECKED	DATE	
APPROVED <i>River</i>	DATE 12/30/14'	
SCALE N/A	UNIT mm	SHEET 1 OF 1

GENESIS TECHNOLOGY INC.	
TITLE: SATA 7+15P SMT TYPE	
PART NUMBER: SATR-2522-BK50U	
DRAWING NO. GTi09-25108	SIZE A4 REV. C