

PROPRIETARY INFORMATION  
COMPANY CONFIDENTIAL

REV.	ECN. NO.	DESCRIPTION	ENG	DATE
A		INITIAL	AXL	3/13/2014
B		modify insertion withdrawal force meet specification	KNIGHT	3/27/2014
C		CORRECT DRAWING	Jane	8/12/2014

NOTES:

1. Material

Housing: LCP UL 94V-0 rated; Color: Black.

Contact: Phosphor Bronze

Plating : Gold Plating over Nickel on contact area; Tin plating on Solder Tail.

2. Mechanical

Insertion Force: 20N Max.

Withdrawal Force: 4N Min. B

Durability: 500 cycles

3. Electrical Specification

Current Rating: 1.5 Ampere per contact

Contact Resistance: 30 Milliohms max.

Insulation Resistance: 1000 Megohms min.

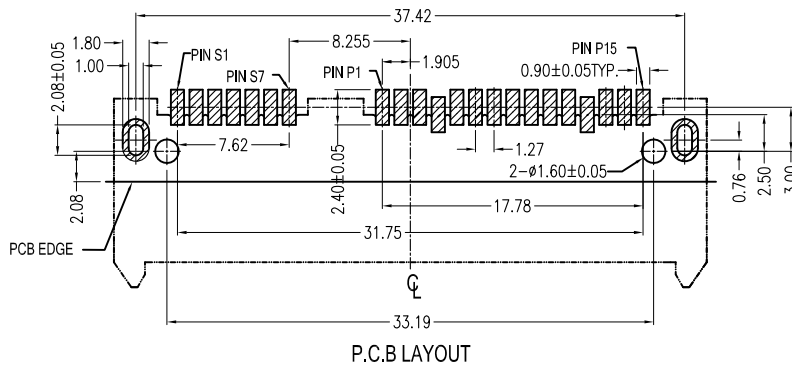
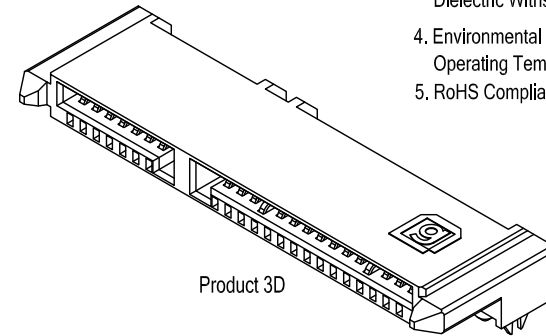
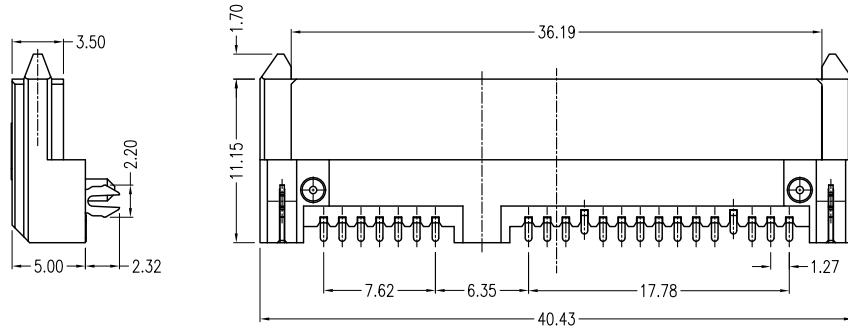
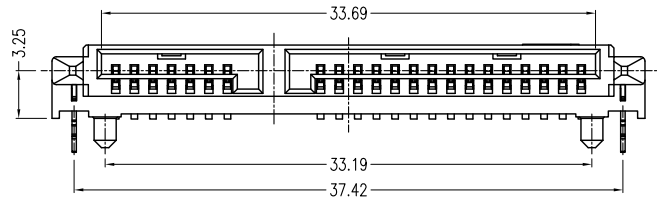
Dielectric Withstanding Voltage: 500 VAC

4. Environmental

Operating Temperature: 0°C to + 85°C

5. RoHS Compliant

Signal Segment		Power Segment			
Name	Type	Name	Type	Name	Type
S1	GND	P1	V33	P9	V5
S2	A+	P2	V33	P10	GND
S3	A-	P3	V33	P11	DAS/DSS
S4	GND	P4	GND	P12	GND
S5	B-	P5	GND	P13	V12
S6	B+	P6	GND	P14	V12
S7	GND	P7	V5	P15	V12
		P8	V5		



ORDER INFORMATION

SATR- 2B 22-B K 1 0 R 01  
① 2 3 4 5 6 7

- CONNECTOR:  
SATR-2B: SATA CONNECTOR
- POSITIONS:  
22: 22 POSITIONS
- INSULATOR MATERIAL:  
B: LCP
- INSULATOR COLOR:  
K: BLACK
- CONTACT PLATING:  
1: GOLD 1u"
- SHIELD PLATING:  
0: NONE-SHIELD
- PACKING:  
R: TAPE & REEL

GENERAL TOLERANCE X ± 0.50 .X ± 0.38 .XX ± 0.25 .XXX ± 0.15	ANGLE TOLERANCE X° ± 5.0° .X° ± 3.0° .XX° ± 2.0° .XXX° ± 1.0°	DRAWN Jane	DATE 8/12/14'	
MATL SEE BOM	FINISH SEE NOTES	CHECKED	DATE	
SCALE N/A	UNIT mm	APPROVED	DATE	PART NUMBER SATR-2B22-BK10R01
SHEET 1 OF 1				DRAWING NO. GT23-300312
				SIZE A4
				REV. C