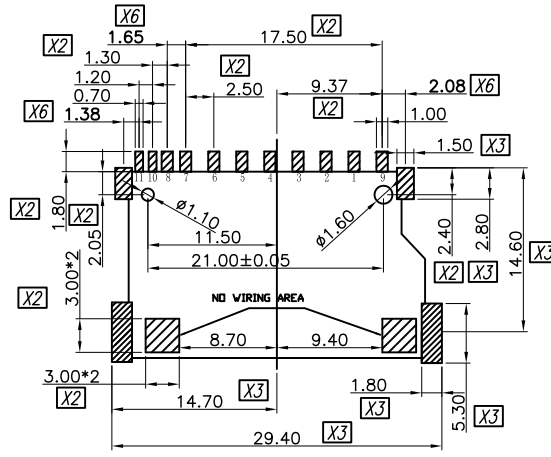
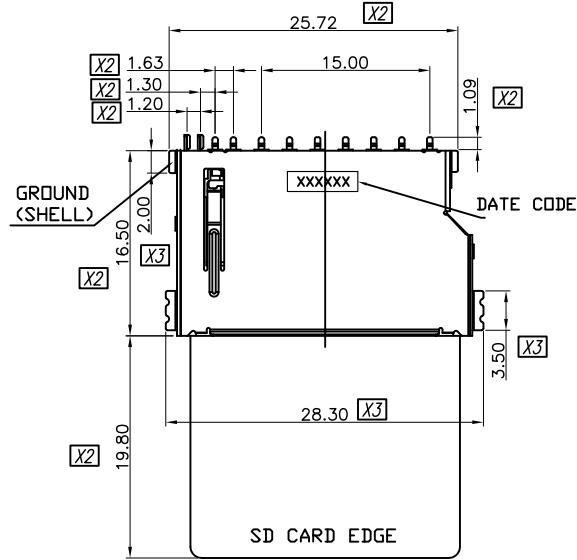
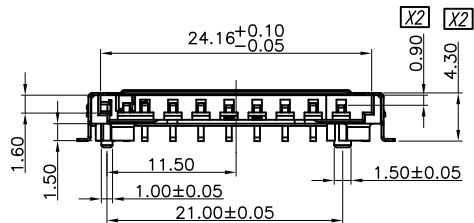


PROPRIETARY INFORMATION
COMPANY CONFIDENTIAL

REV.	ECN. NO.	DESCRIPTION	ENG	DATE
X1		INITIAL	Knight	09/11/14'
X2		Modify drawing	River	10/13/14'
X3		Modify drawing	River	10/18/14'
X4		ADD RoHS Compliant	Knight	10/28/14'
X5		CORRECT MISTAKE	Knight	11/07/14'
X6		ADD DIMENSIONS	AXL	11/07/14'



P.C.B Layout(+/-0.05)



NOTES:

- CONTACT CURRENT RATING: 0.5 AMPERES
- VOLTAGE RATING: 3.6V
- INSULATION RESISTANCE: 1000mΩ Minimum.
- CONTACT RESISTANCE: 100mΩ Maximum.
- CONTACT INSERTION FORCE: 1.00Kgf Maximum.
- CONTACT SEPARATION FORCE: 0.2Kgf Minimum.
- OPERATING TEMPERATURE: -20°C + 90°C
- RoHS COMPLIANT

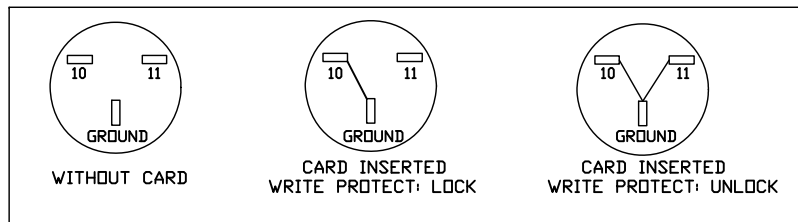
ORDER INFORMATION:

SDCR-2Q11-B N 1 4 R
① ② ③ ④ ⑤ ⑥ ⑦

- TYPE: SDCR-2Q: SD CARD
- POSITIONS: 11: 11 POSITIONS
- INSULATOR MATERIAL: B: LCP
- INSULATOR COLOR: N: NATURAL
- CONTACT PLATING: 1: GOLD FLASH
- SHIELD PLATING: 4: GOLD FLASH
- PACKING: R: TAPE & REEL

SD CARD PIN DESIGN

PIN NO.	NAME	DESCRIPTION
1#	CD/DAT3	CARD DETECT/DATA I/O
2#	CMD	COMMAND
3#	VSS1	GROUND
4#	VDD	POWER
5#	CLK	CLOCK
6#	VSS2	GROUND
7#	DAT0	DATA I/O
8#	DAT1	DATA I/O
9#	DAT2	DATA I/O
10#	CD	
11#	WP	



GENERAL TOLERANCE X.± 0.50 .X± 0.38 .XX± 0.25 .XXX± 0.15	ANGLE TOLERANCE X°± 5.0° .X°± 3.0° .XX°± 2.0° .XXX°± 1.0°	DRAWN Knight	DATE 10/28/14'	 TITLE: SD CARD PART NUMBER: SDCR-2Q11-BN14R DRAWING NO. GT23-210211 SIZE A4 REV. X6
MATL SEE BOM	FINISH SEE NOTES	CHECKED	DATE	
SCALE N/A	UNIT mm	APPROVED River	DATE 10/28/14'	
SHEET 1 OF 1				

ITEM	NAME	Q'TY	DESCRIPTION
3	SHELL	1	BRASS, GOLD FLASH PLATING ON SOLDER AREA, 30u" MIN NICKEL PLATING OVERALL
2	CANTACT	11	PHOSPHOR BRONZE, GOLD FLASH PLATING ON CONTACT AREA, TIN 80u" MIN PLATING ON SOLDER AREA, NICKEL 30u" MIN UNDER PLATING OVERALL
1	HOUSING	1	LCP

NOTE
NATURAL, UL94 V-0