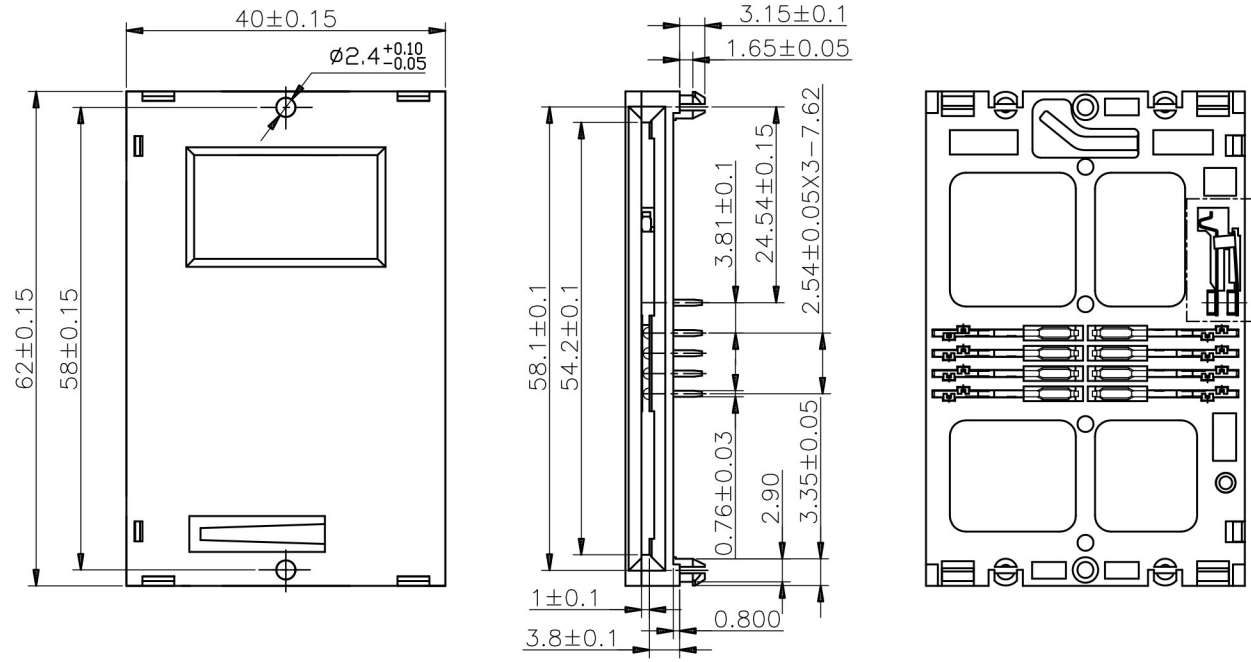


PROPRIETARY INFORMATION
COMPANY CONFIDENTIAL

REV.	ECN. NO.	DESCRIPTION	ENG	DATE
A		INITIAL	Knight	03/11/15'



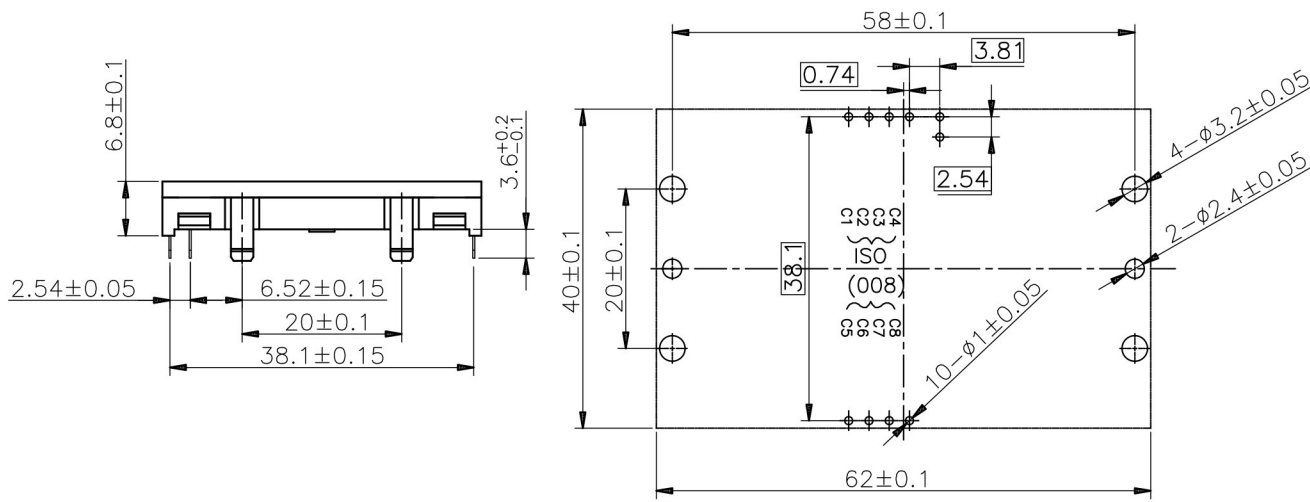
NOTES:

- Electrical characteristics
 - Contact resistance: 50mΩ typical, 100mΩ Max.
 - Switch type: Normally close/blade.
- Mechanical Characteristics:
 - Normal Contact Force: 0.20~0.60N (each contact)
 - Durability: 100,000 cycles at 0.5mm deflection
 - Contact retention force: 300g (min)
 - Card Insertion force: 200gf~1000gf
 - Card Withdrawal force: 300gf~700gf.
 - Operating temperature: -40°C~+85°C
 - RoHS Compliance

ORDER INFORMATION

SMCR-88 08 - A K H 0 T
 ① ② ③ ④ ⑤ ⑥ ⑦

- TYPE:
SMCR-88: SMART CARD CONNECTOR
- POSITIONS:
08:08 POSITIONS
- INSULATOR MATERIAL:
A: PBT
- INSULATOR COLOR:
K: BLACK
- CONTACT PLATING:
H: GOLD 2u"
- SHIELD PLATING:
0: NONE SHIELD
- PACKING
T: TRAY



PCB Layout
(Recommend)

3	SWITH	1	PHOSPHOR BRONZE, GOLD 2u" MIN PLATING ON CONTACT AREA, TIN 80u" MIN PLATING SOLDER AREA, NICKEL 50u" MIN UNDER PLATING OVERALL
2	CONTACT	08	PHOSPHOR BRONZE, GOLD 2u" MIN PLATING ON CONTACT AREA, TIN 80u" MIN PLATING SOLDER AREA, NICKEL 50u" MIN UNDER PLATING OVERALL
1	HOUSING	1	PBT
ITEM	NAME	Q'TY	DESCRIPTION

GENERAL TOLERANCE	ANGLE TOLERANCE	DRAWN	DATE
X ± 0.50	X° ± 5.0°	<i>knighe</i>	03/11/15'
.X ± 0.38	.X° ± 3.0°	CHECKED	DATE
.XX ± 0.25	.XX° ± 2.0°	APPROVED	DATE
.XXX ± 0.15	.XXX° ± 1.0°	<i>River</i>	03/11/15'
MATL	SEE BOM	SCALE	N/A
FINISH	SEE NOTES	UNIT	mm
SHEET	1 OF 1		

TITLE: SMART CARD CONNECTOR	
PART NUMBER: SMCR-8808-AKH0T	
DRAWING NO. GT26-210431	
SIZE	A4
REV.	A