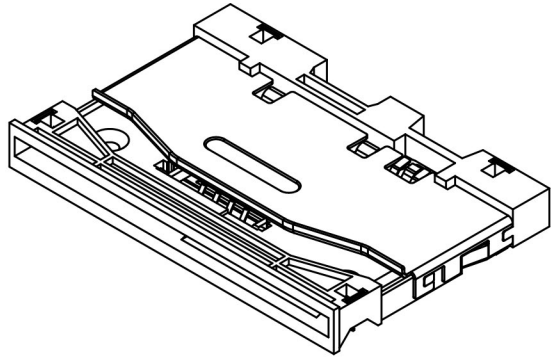
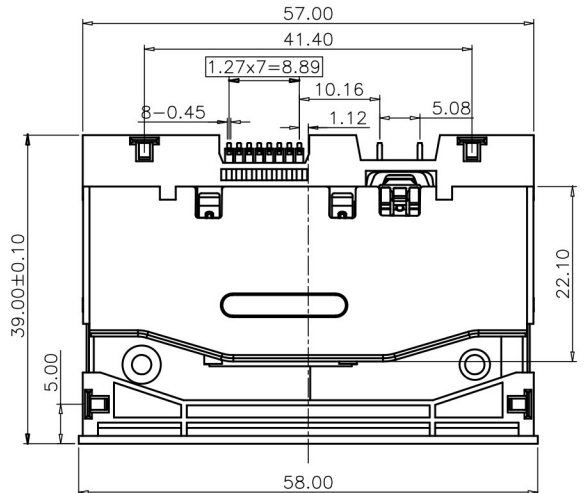


PROPRIETARY INFORMATION  
COMPANY CONFIDENTIAL

REV	ECN. NO.	DESCRIPTION	ENG	DATE
A		INITIAL	Knight	03/11/15'



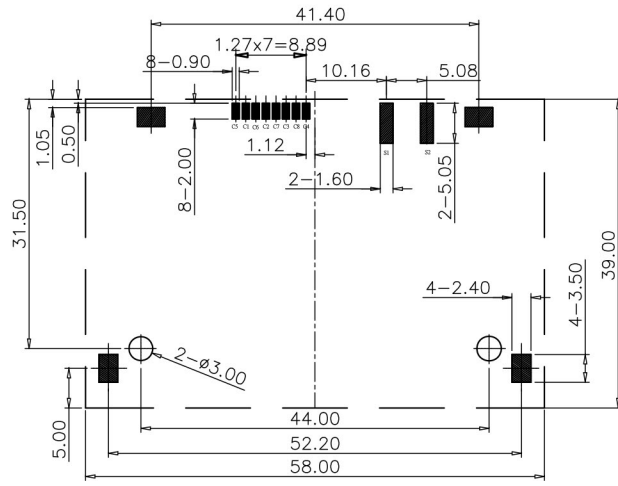
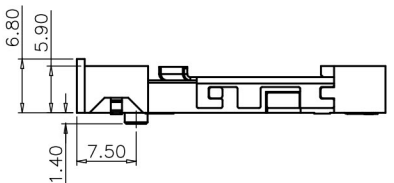
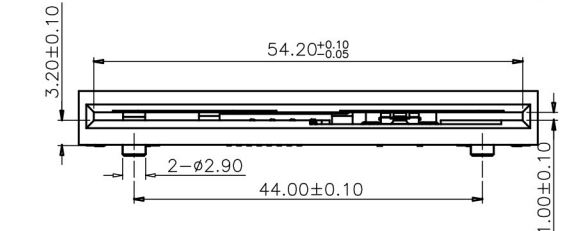
NOTES:

1. DIELECTRIC WITHSTANDING VOLTAGE:500V AC MAX
2. INSULATION RESISTANCE:1000MΩ MIN
4. CONTACT RESISTANCE:100mΩ MAX
5. CONTACT POSITIVE FORCE:0.2N~0.6N
6. DURABILITY:50,0000 CYCLES
7. RoHS COMPLIANCE

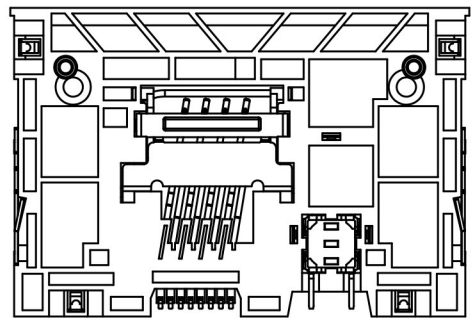
ORDER INFORMATION

SMCR-89 08 - B K 5 1 T  
① ② ③ ④ ⑤ ⑥ ⑦

1. TYPE:  
SMCR-89:SMART CARD CONNECTOR
2. POSITIONS:  
08:08 POSITIONS
3. INSULATOR MATERIAL:  
B: LCP
4. INSULATOR COLOR:  
K: BLACK
5. CONTACT PLATING:  
5: GOLD 15u"
6. SHIELD PLATING:  
1: TIN PLATING
7. PACKING  
T: TRAY



PCB LAYOUT  
Tolerance : ±0.05mm



ITEM	NAME	Q'TY	DESCRIPTION	NOTE
3	UPPER CAP	1	SUS,TIN 50u" MIN PLATING OVER NICKEL 80u" MIN PLATING UNDER OVERALL	
2	CONTACT	8	PHOSPHOR BRONZE,GOLD 15u" PLATING ON CONTACT AREA,TIN 80u" MIN PLATING SOLDER AREA,NICKEL 50u" MIN UNDER PLATING OVERALL	
1	HOUSING	1	LCP	BLACK, UL94 V-0

GENERAL TOLERANCE X±0.50 .X±0.38 .XX±0.25 .XXX±0.15	ANGLE TOLERANCE X°±5.0° .X°±3.0° .XX°±2.0° .XXX°±1.0°	DRAWN <i>knighe</i>	DATE 03/11/15'
MATERIAL SEE BOM		CHECKED	DATE
FINISH SEE NOTES		APPROVED <i>River</i>	DATE 03/11/15'
SCALE N/A	UNIT mm	SHEET 1 OF 1	

<b>GENESIS</b> TECHNOLOGY, INC.	
TITLE: <b>SMART CARD CONNECTOR</b>	
PART NUMBER: <b>SMCR-8908-BK51T</b>	
DRAWING NO. GT26-210433	SIZE A4 REV. A