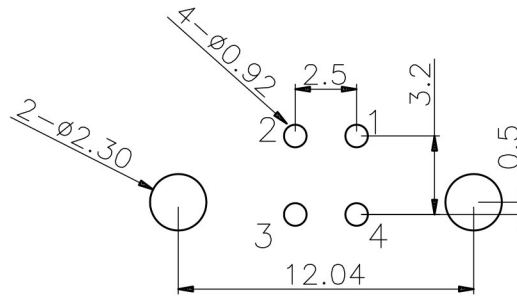
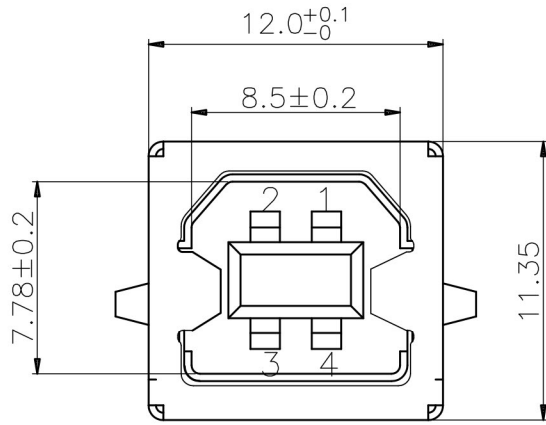
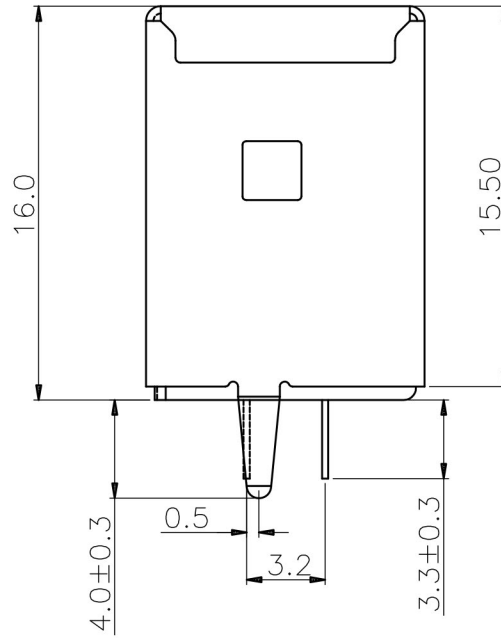
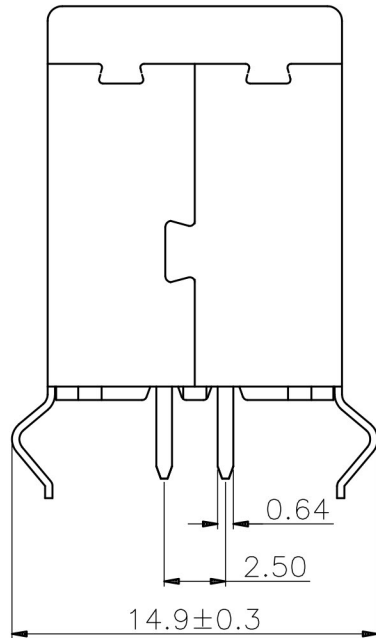


PROPRIETARY INFORMATION
COMPANY CONFIDENTIAL

REV.	ECN. NO.	DESCRIPTION	ENG	DATE
A		INITIAL	Axl	11/21/14'
B		CORRECT CONTACT MATERIAL AND ORDER INFORMATION	Axl	11/24/14'
C		UPDATE DRAWING	Knight	01/23/15'



PC BOARD LAYOUT



NOTES:

- CURRENT RATING: 1.5A
- CONTACT RESISTANCE: 30mΩ MAX
- DIELECTRIC WITHSTANDING VOLTAGE: 500V AC MAX
- INSULATION RESISTANCE: 1000MΩ MIN
- INSERTION FORCE: 3.5kg MAX.
- EXTRACTION FORCE: 1.0kg MIN.
- RoHS COMPLIANCE)

ORDER INFORMATION

[B] USBV - 21 04 - A X X 3 T
① ② ③④⑤⑥⑦

- TYPE:
USBV-21: USB B TYPE VERTICAL AND DIP TYPE
- POSITIONS:
04: 04 POSITIONS
- INSULATOR MATERIAL:
A: PBT
- INSULATOR COLOR:
W: WHITE
K: BLACK
- [C] CONTACT PLATING:
1: GOLD FLASH
5: GOLD 15u"
- SHIELD PLATING:
3: NICKEL PLATING
- PACKING
T: TRAT

ITEM	NAME	Q'TY	DESCRIPTION
3	SHELL	1	SPCC, NICKEL 80u" MIN PLATING
2	CONTACT	4	BRASS, GOLD PLATING ON CONTACT AREA, TIN 100u" MIN PLATING SOLDER AREA, NICKEL 50u" MIN UNDER PLATING OVERALL
1	HOUSING	1	PBT+30%G.F., COLOR ORDER INFORMATION

UL94 V-0
NOTE

GENERAL TOLERANCE	ANGLE TOLERANCE
X ± 0.50	X° ± 5.0°
.X ± 0.38	.X° ± 3.0°
.XX ± 0.25	.XX° ± 2.0°
.XXX ± 0.15	.XXX° ± 1.0°

MATL	FINISH
SEE BOM	SEE NOTES

SCALE	UNIT
N/A	mm

SHEET 1 OF 1

DRAWN	DATE
<i>knighe</i>	01/23/15'
CHECKED	DATE
APPROVED	DATE
<i>River</i>	01/23/15'

GENESIS TECHNOLOGY, INC.	
TITLE	USB B VERTICAL DIP TYPE 16mm TALL
PART NUMBER	USBV-2104-AXX3T
DRAWING NO.	GT23-300367
SIZE	A4
REV.	C