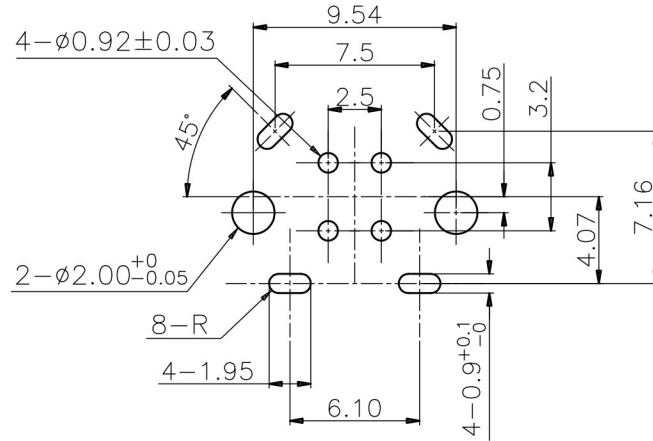
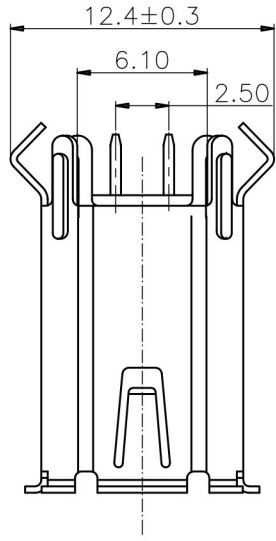
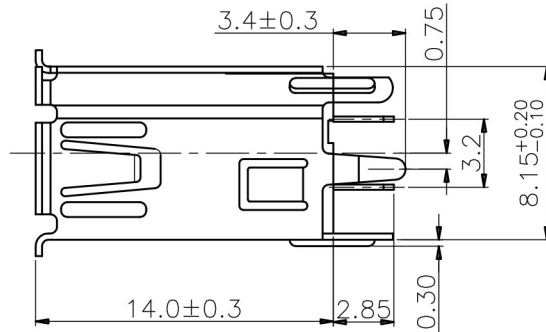
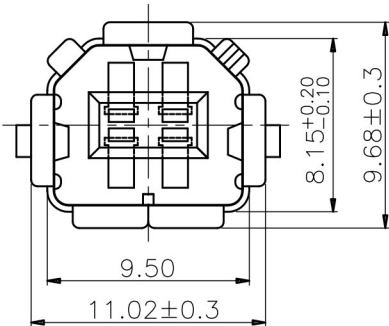


PROPRIETARY INFORMATION
COMPANY CONFIDENTIAL

REV.	ECN. NO.	DESCRIPTION	ENG	DATE
A		INITIAL	Knight	02/02/15'



RECOMMENDED P.C.B LAYOUT
P.C.B TOLERANCE=±0.05



NOTES:

- CURRENT RATING: 1.5A
- CONTACT RESISTANCE: 30mΩ MAX
- INSULATION RESISTANCE: 1000MΩ MIN
- DIELECTRIC WITHSTANDING VOLTAGE: 500V AC MAX
- INSERTION FORCE: 3.5(kg)MAX.
- EXTRACTION FORCE: 1.0(kg)MIN.
- RoHS COMPLIANCE

ORDER INFORMATION

USBV-23 04 - A K 1 3 T
① ② ③④⑤⑥⑦

- TYPE:
USBV-23:USB B TYPE RECEPTACLE,VERTICAL,
THROUGH HOLE SOLDER TAIL&SHELL-KINK
- POSITIONS:
04:04 POSITIONS
- INSULATOR MATERIAL:
A: PBT
- INSULATOR COLOR:
K: BLACK
- CONTACT PLATING:
1: GOLD FLASH
- SHIELD PLATING:
3: NICKEL PLATING
- PACKING
T: TRAY

ITEM	NAME	Q'TY	DESCRIPTION
3	SHELL	1	SPCC, NICKEL 80u" MIN PLATING OVERALL
2	CONTACT	4	BRASS,GOLD FLASH PLATING ON CONTACT AREA,TIN 100u" MIN PLATING SOLDER AREA,NICKEL 50u" MIN UNDER PLATING OVERALL
1	HOUSING	1	PBT+30%G.F

GENERAL TOLERANCE X±0.50 .X±0.38 .XX±0.25 .XXX±0.15	ANGLE TOLERANCE X°±5.0° .X°±3.0° .XX°±2.0° .XXX°±1.0°	DRAWN <i>hmgne</i>	DATE 02/02/15'	
MATL SEE BOM	FINISH SEE NOTES	CHECKED	DATE	
SCALE N/A	UNIT mm	APPROVED <i>River</i>	DATE 02/02/15'	PART NUMBER USBV-2304-AK13T
SHEET 1 OF 1				DRAWING NO. GT26-210398
				SIZE A4
				REV. A