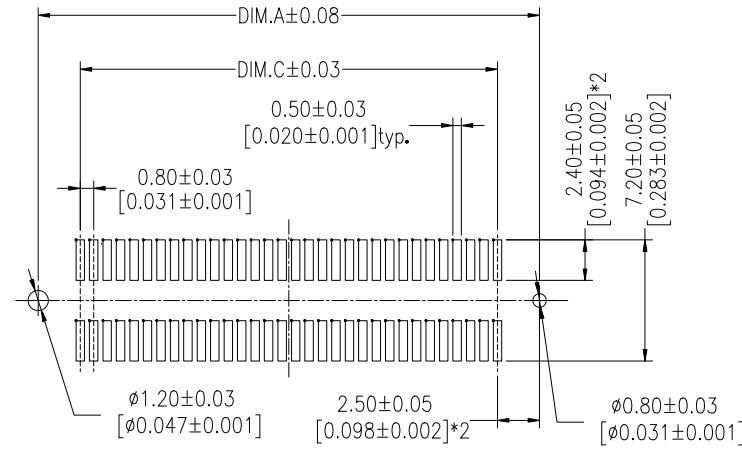
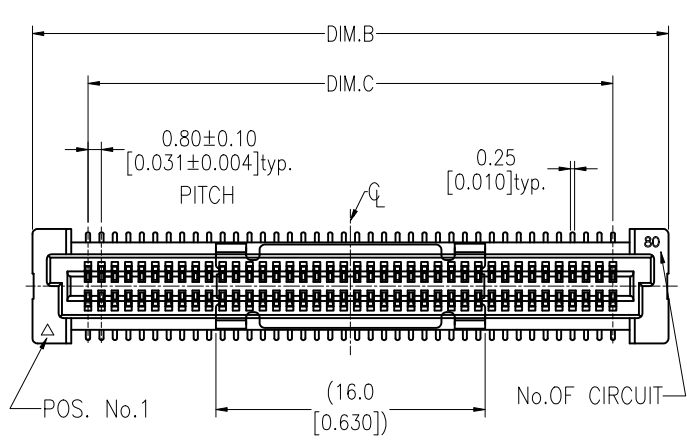


PROPRIETARY INFORMATION  
COMPANY CONFIDENTIAL

REV.	ECN. NO.	DESCRIPTION	ENG	DATE
A		INITIAL	Knight	05/07/15'
B		ADD ASSEMBLE VIEW	Knight	12/16/15'
C		ADD FEMALE HEIGHT 3.75MM AND 7.75MM OPTION	Knight	12/18/15'

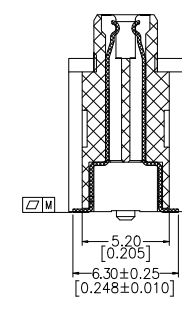
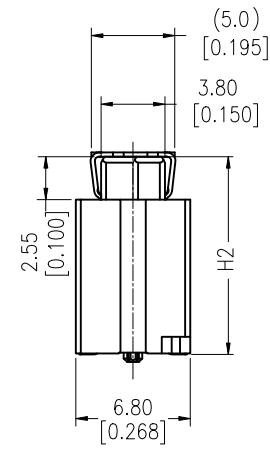
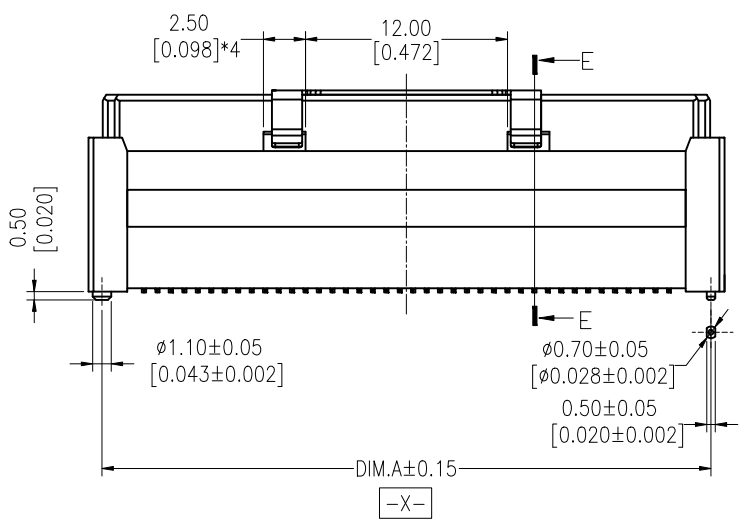


RECOMMENDED P.C.B LAYOUT(TOP SIDE)  
(PCB BOARD TOLERANCE:±0.05)

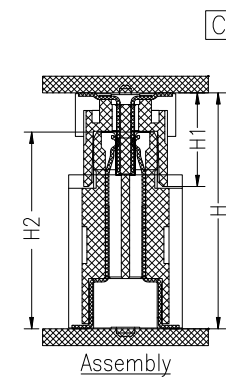
- NOTES:
1. Current Rating:0.5 AMP
  2. Contact Resistance:30mΩ Max
  3. Withstand Voltage:100V AC/DC
  4. Insulation Resistance:500MΩ Min
  5. Operation Temperature:-40℃ to+125 ℃

ORDER INFORMATION  
WAFV-XX XX - B N 2 0 R  
① ② ③ ④ ⑤ ⑥ ⑦

1. TYPE:  
WAFV-20:0.80mm B TO B FEMALE TYPE  
SMT FEMALE HEIGHT 3.75  
WAFV-40:0.80mm B TO B FEMALE TYPE  
SMT FEMALE HEIGHT 7.75  
WAFV-41:0.80mm B TO B FEMALE TYPE  
SMT FEMALE HEIGHT 11.75
2. POSITIONS:  
XX: SEE POSITIONS NUMBER
3. INSULATOR MATERIAL:  
B: LCP
4. INSULATOR COLOR:  
N: NATURAL
5. CONTACT PLATING:  
2: GOLD 3u"
6. SHIELD PLATING:  
0: NONE  
SHIELD
7. PACKING  
R: TAPE&REEL



SECTION E-E  
SCALE 2:1



Assembly

ASS'Y HEIGHT (H)	PLUG (H1)	SOCKET (H2)	PART NO.			H2
5.00	4.60	3.75	WAFV-20XX-BN20R			3.75MM
6.00	5.60		WAFV-40XX-BN20R			7.75MM
7.00	6.60		WAFV-41XX-BN20R			11.75MM
8.00	7.60	7.75	79.20	85.80	84.20	200=1F
ASS'Y HEIGHT (H)	PLUG (H1)		71.20	77.80	76.20	180=1E
10.00	5.60		63.20	69.80	68.20	160=1D
11.00	6.60		55.20	61.80	60.20	140=1C
12.00	7.60		47.20	53.80	52.20	120=1B
ASS'Y HEIGHT (H)	PLUG (H1)	SOCKET (H2)	39.20	45.80	44.20	100=1A
13.00	4.60	11.75	31.20	37.80	36.20	80
14.00	5.60		23.20	29.80	28.20	60
15.00	6.60		15.20	21.80	20.20	40
16.00	7.60					
			DIM.C	DIM.B	DIM.A	PIN NO.

GENERAL TOLERANCE	ANGLE TOLERANCE
X±0.50	X°±5.0°
.X±0.38	.X°±3.0°
.XX±0.25	.XX°±2.0°
.XXX±0.15	.XXX°±1.0°

DRAWN	DATE
Knight	12/18/15'
CHECKED	DATE
APPROVED	DATE
River	12/18/15'

<b>ENESIS</b> TECHNOLOGY INC	
TITLE: 0.80mm B TO B Female "T" TYPE SMT	
PART NUMBER: WAFV-XXXX-BN20R	
DRAWING NO. GT26-210469	SIZE A4 REV. C

ITEM	NAME	Q'TY	DESCRIPTION
3	COVER	1	SUS
2	CONTACT	XX	PHOSPHOR BRONZE,Au 3u" PLATING ON CONTACT AREA,MATTE TIN 80u" MIN PLATING SOLDER AREA,NICKEL 40u" MIN UNDER PLATING OVERALL
1	BASE	1	LCP+30%G.F

MATL	SEE BOM
FINISH	SEE NOTES
SCALE	N/A UNIT mm
SHEET	1 OF 2
NOTE	